

42W Constant Current DALI-FLS Series

FLS-42-1050 Blue LA-CSB



■ Approve

SELV 

■ Features

- Class II, SELV, built-in
- Input Voltage 220-240VAC
- Protections: SCP/OLP/OVP
- Power Factor >0.9
- Efficiency ≥86%
- 5 years warranty

■ Applications(Typ.)

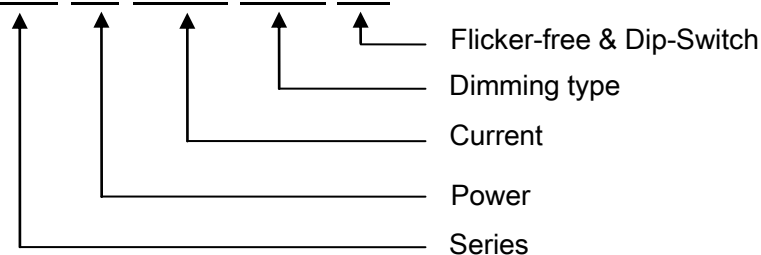
- LED strips
- Ceiling light
- Down light

■ Description

FLS-42-1050 Blue LA-CSB is a 42W constant current LED driver with 700 to 1050mA output current and a forward voltage range from 9 to 52Vdc. The output current is selectable by DIP Switch. With its dimensions from 97 x 43 x 30mm it is easy to integrate in Ceiling light and down light products. To ensure trouble-free operation, protection is provided against output short circuit and over Load.

■ Model code

FLS-42-1050 Blue LA-CSB



42W Constant Current DALI-FLS Series

FLS-42-1050 Blue LA-CSB

■ Specification

| | | |
|-----------------------|--|--|
| Input | Rated input voltage | 220-240VAC |
| | Range of input voltage | 176-264VAC |
| | DC voltage range | 176-280V |
| | Frequency(Hz) | 0/50/60 Hz |
| | Power Factor | > 0.9@220-240VAC, full load |
| | Input Current max | 0.34A MAX. @Full Load,176VAC |
| | Start-up time | < 0.5S |
| | Unload Power Consumption | ≤0.5W |
| | Inrush Current | 30A Max. |
| | Leakage Current | < 0.7mA(240VAC) |
| | Output | Constant Current |
| Unload voltage Max. | | 60 VDC |
| Voltage Range(VDC) | | 9-52VDC |
| Rated power | | 44.1W Max. |
| Current Accuracy | | ±5%@220-240VAC |
| Voltage Regulation | | ±5% @220-240VAC, full load |
| Load Regulation | | ±5%@220-240VAC |
| Hold-up Time | | 1s max.@Full Load |
| Ripple& Noise *Note.2 | | ±3%@Full Load,240VAC |
| Efficiency(Typ.) | | ≥86% |
| Dimming | Dimming mode | Bluetooth |
| | Recommended Dimming controller | EAGLERISE: EC2.4G-BP, Bluetooth APP |
| | Dimming current range | 10%~100% , ON/OFF |
| Protection | Over Load Protection | 103-120% Protection type: Auto Resume |
| | Over Voltage Protection | > 60VDC Protection type: Auto Resume |
| | Short circuit Protection | Protection type: Auto Resume |
| | Over Temperature protection | NA |
| Environment | Operating Temperature | -20°C...+50°C |
| | tc | 90°C |
| | Storage Temperature | -25°C...+60°C |
| | Life time | > 44,000h@50°C |
| | Humidity | 20%-95%RH |
| Others | Dimension(LXWXH) | 97X43X30mm |
| Safety & EMC | Safety standards | EN 61347-1; EN61347-2-13; EN62384 |
| | Withstand voltage | Input-Output : 3750V/5mA/1min |
| | Isolation resistance | Input-Output : ≥4MΩ@500VDC |
| | EMI | EN55015; EN61000-3-2 Class C; EN61000-3-3 |
| | EMS | EN 61547; EN 61000-4-2; EN 61000-4-5 —1000V; |
| Note | 1.All parameters NOT specially mentioned are measured at 240VAC input , full load and 25°C of ambient temperature. 2.Ripple & Noise are measured at 20MHz of bandwidth by using a 300mm twisted pair-wire terminated with a 0.1uF & 47 uF parallel capacitor. | |

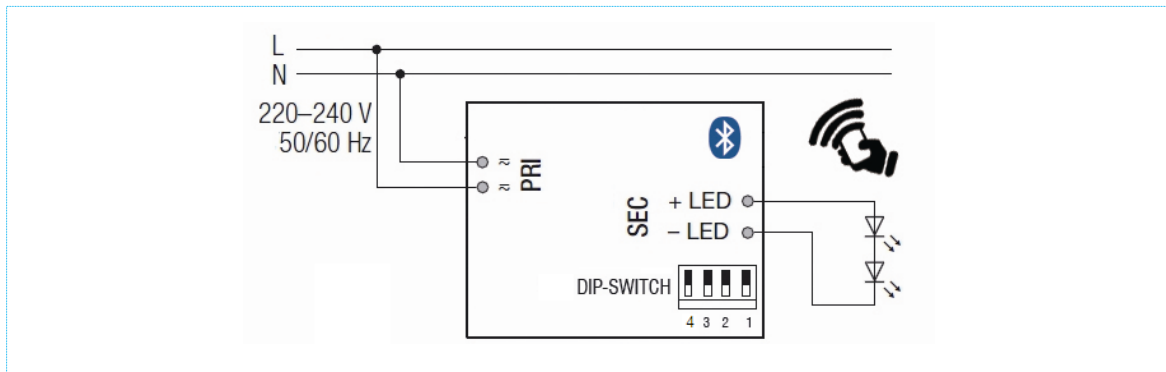
42W Constant Current DALI-FLS Series

FLS-42-1050 Blue LA-CSB

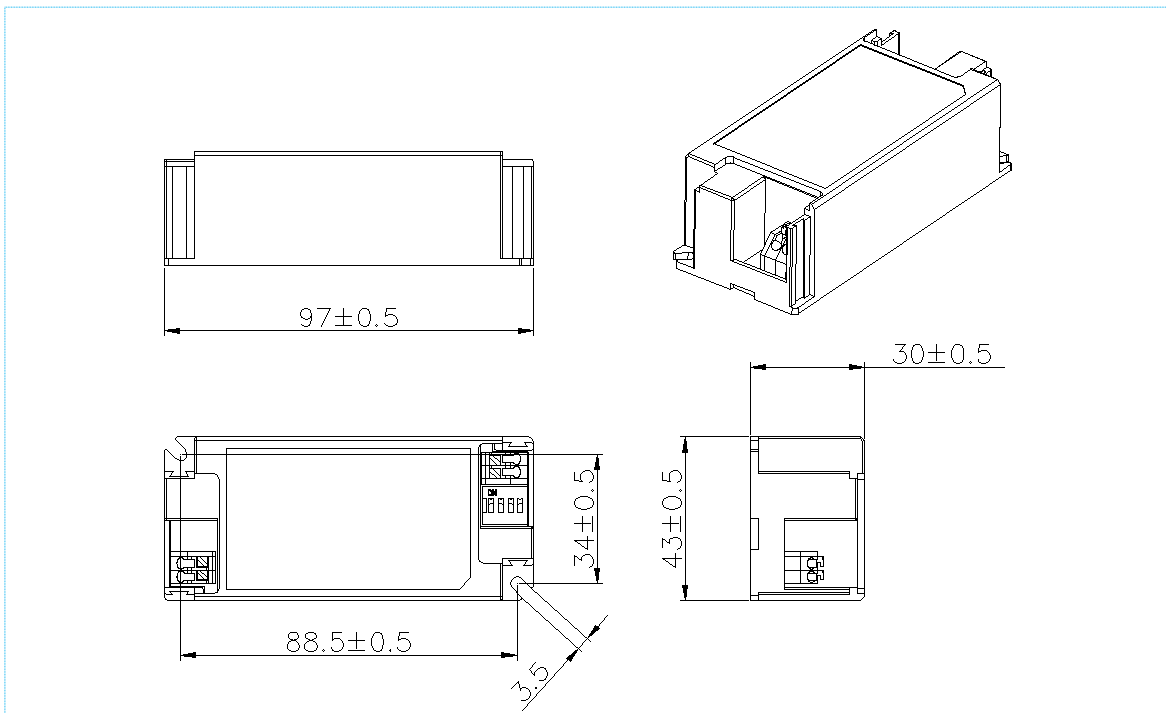
■Adjustable Output Current with dip-switch

| Vo | Po | Io | 1 | 2 | 3 |
|---------|-------|--------|----|----|----|
| 9-52VDC | 36.4W | 700mA | -- | -- | -- |
| 9-52VDC | 39W | 750mA | ON | -- | -- |
| 9-52VDC | 41.6W | 800mA | -- | ON | -- |
| 9-50VDC | 42.5W | 850mA | ON | ON | -- |
| 9-48VDC | 43.2W | 900mA | -- | -- | ON |
| 9-46VDC | 43.7W | 950mA | ON | -- | ON |
| 9-44VDC | 44W | 1000mA | -- | ON | ON |
| 9-42VDC | 44.1W | 1050mA | ON | ON | ON |

■Wiring diagram



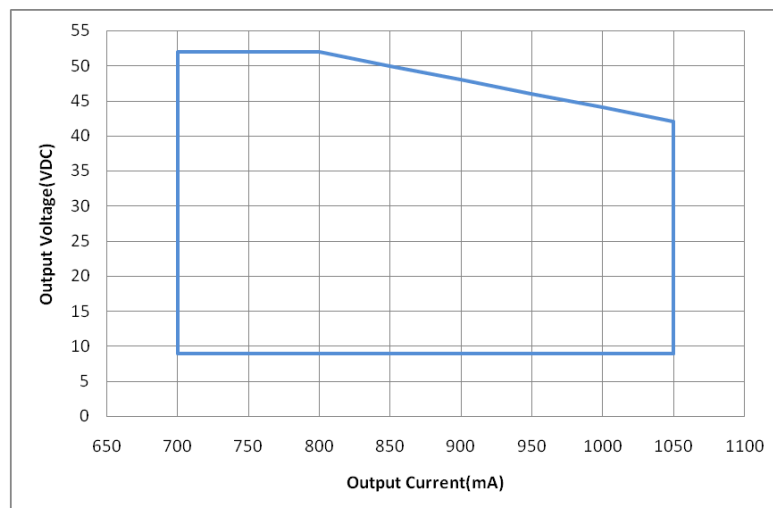
■2D diagram



42W Constant Current DALI-FLS Series

FLS-42-1050 Blue LA-CSB

■ Operating window



— Operating window 100%