

Converter 12

Convert 12 Vdc to CC

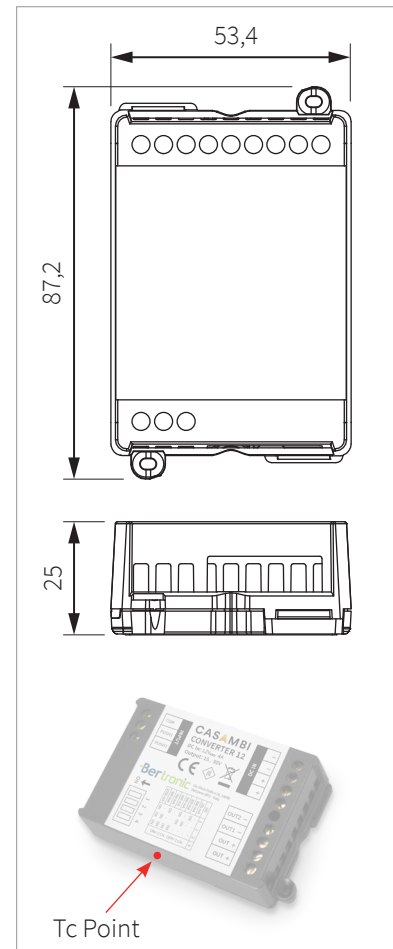
Through this device it is possible to adjust the luminous brightness thanks to a command available on “CASAMBI APP”.

The driver also has a push button connection and can be used to control led lights.



Download the free Casambi APP on APP STORE and GOOGLE PLAY

Dimension



Technical Specification

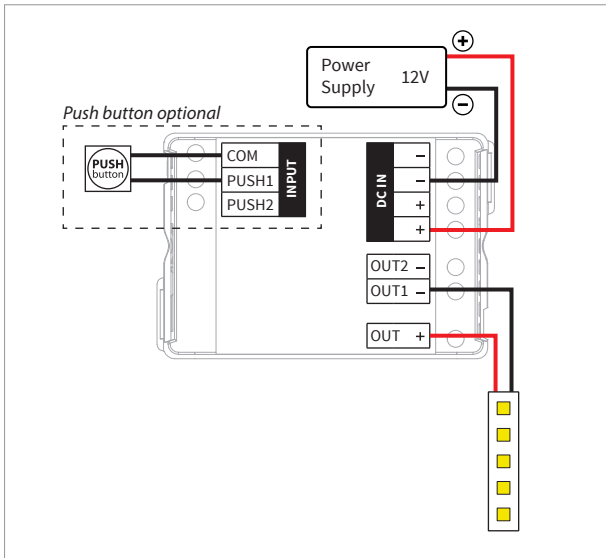
Channels	max 2			
Input voltage	12 Vdc +/-10% - 4A			
Max power	40 W max out			
Output voltage	min. 15V max. 30V			
Electrical protection	both polarity inversion and CC			
Output current value selectable by dip-switch*	250mA	300mA	350mA	500mA
	600mA	700mA	900mA	1050mA
Protection grade	IP20 (indoor use only)			
Dimension	53,4 x 87,2x25 mm			
Ta	-20° +45°			
Tc	+80°			

*Customizable output current from 100 to 1400 mA

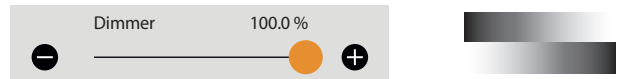
BERTRONIC SRL
via S.Pellico, 26
24040 Stezzano BG

Bertronic
Rev. 04/19

www.bertronic.it
mail: info@bertronic.it
tel: +39 035 4379308



Installation: Single Channel



Output power

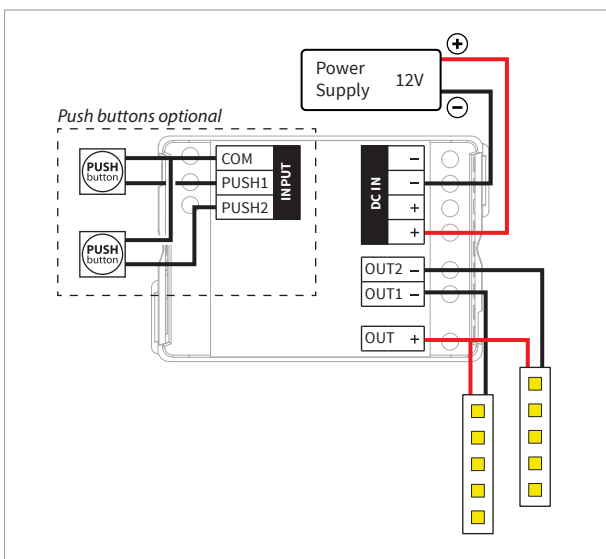
40W max

Output voltage

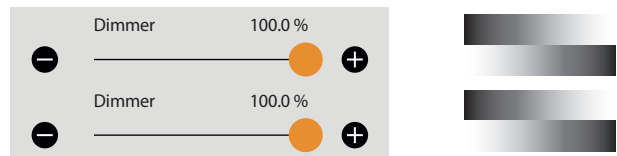
min. 15V max. 30V

Dip-switch setup

SEC	1	2	3	4
250 mA	-	-	-	OFF=1 CHANNEL
300 mA	ON	-	-	
350 mA	-	ON	-	
500 mA	ON	ON	-	
600 mA	-	-	ON	
700 mA	ON	-	ON	
900 mA	-	ON	ON	
1050 mA	ON	ON	ON	



Installation: Double Channel



Output power

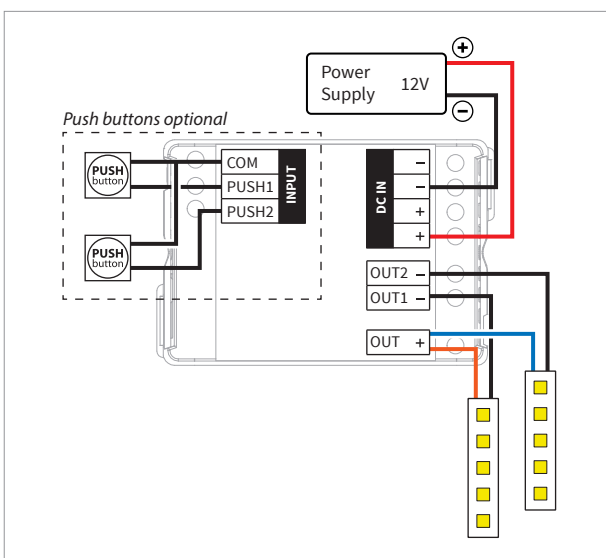
20 W/ch. | 40W max

Output voltage

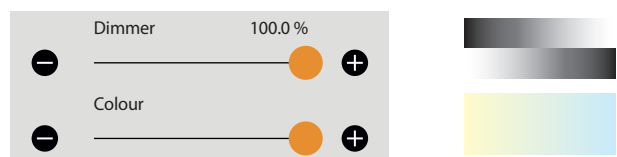
min. 15V/ch.
max. 30V/ch.

Dip-switch setup

SEC	1	2	3	4
250 mA	-	-	-	ON=2 CHANNEL
300 mA	ON	-	-	
350 mA	-	ON	-	
500 mA	ON	ON	-	
600 mA	-	-	ON	
700 mA	ON	-	ON	
900 mA	-	ON	ON	
1050 mA	ON	ON	ON	



Installation: Tunable White



Output power

20 W/ch. | 40W max

Output voltage

min. 15V/ch.
max. 30V/ch.

Dip-switch setup

SEC	1	2	3	4
250 mA	-	-	-	ON= 2 CHANNEL
300 mA	ON	-	-	
350 mA	-	ON	-	
500 mA	ON	ON	-	
600 mA	-	-	ON	
700 mA	ON	-	ON	
900 mA	-	ON	ON	
1050 mA	ON	ON	ON	