

# Casambi Step Down

Convert 48-24Vdc to CC

Through this device it is possible to adjust the luminous brightness thanks to a command available on "CASAMBI APP".

The driver also has a push button connection and can be used to control led lights.



RoHS  
CE



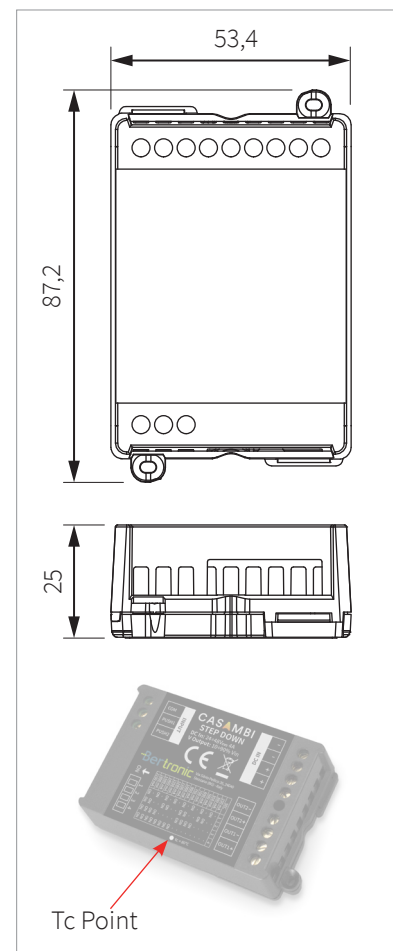
Download the free Casambi APP on APP STORE and GOOGLE PLAY

## Technical Specification

Channels	max 2																
Input voltage	24÷48V $\equiv$ 4,2 A																
Max power	2ch x 91 W																
Output voltage (In 24Vdc)	min. 2,5 V max. 21,6 V																
Output voltage (In 48Vdc)	min. 5 V max. 43,2 V																
Electrical protection	Both polarity inversion and short circuits																
Output current value selectable by dip-switch*	<table border="1"> <tr> <td>250 mA</td> <td>300 mA</td> <td>350 mA</td> <td>500 mA</td> <td>600 mA</td> <td>700 mA</td> <td>750 mA</td> <td>900 mA</td> </tr> <tr> <td>1000 mA</td> <td>1100 mA</td> <td>1200 mA</td> <td>1250 mA</td> <td>1400 mA</td> <td>1500 mA</td> <td>1800 mA</td> <td>2100 mA</td> </tr> </table>	250 mA	300 mA	350 mA	500 mA	600 mA	700 mA	750 mA	900 mA	1000 mA	1100 mA	1200 mA	1250 mA	1400 mA	1500 mA	1800 mA	2100 mA
250 mA	300 mA	350 mA	500 mA	600 mA	700 mA	750 mA	900 mA										
1000 mA	1100 mA	1200 mA	1250 mA	1400 mA	1500 mA	1800 mA	2100 mA										
Cross section (min-max)	0,75 mm <sup>2</sup> - 1,5 mm <sup>2</sup>																
Insulation between DC IN/PUSH, DC IN/OUT and OUT/PUSH	Functional																
Dimension	53,4 x 87,2x25 mm																
Ta	-20° +45°																
Tc	+80°																

\*Customizable output current on request.

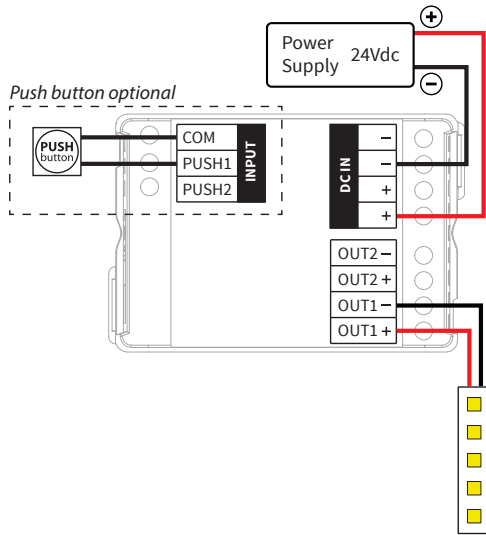
## Dimension



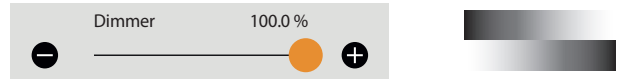
BERTRONIC SRL  
via S.Pellico, 26  
24040 Stezzano BG

**Bertronic**  
Rev. 12/19

www.bertronic.it  
mail: info@bertronic.it  
tel: +39 035 4379308



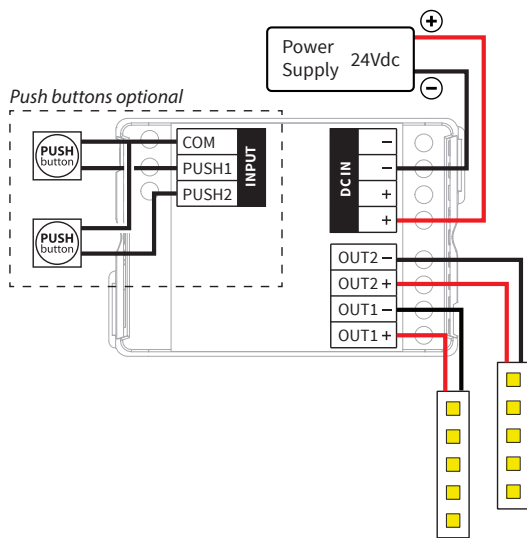
## Installation: Single Channel



### Dip-switch setup

Voltage In	Max Power Out for CH	Voltage Out for CH
24Vdc	45W	2,5V/21,6 V
48Vdc	91W	5V/43,2 V

SEC	1	2	3	4
250 mA	-	-	-	-
300 mA	ON	-	-	-
350 mA	-	ON	-	-
500 mA	ON	ON	-	-
600 mA	-	-	ON	-
700 mA	ON	-	ON	-
750 mA	-	ON	ON	-
900 mA	ON	ON	ON	-
1000 mA	-	-	-	ON
1100 mA	ON	-	-	ON
1200 mA	-	ON	-	ON
1250 mA	ON	ON	-	ON
1400 mA	-	-	ON	ON
1500 mA	ON	-	ON	ON
1800 mA	-	ON	ON	ON
2100 mA	ON	ON	ON	ON



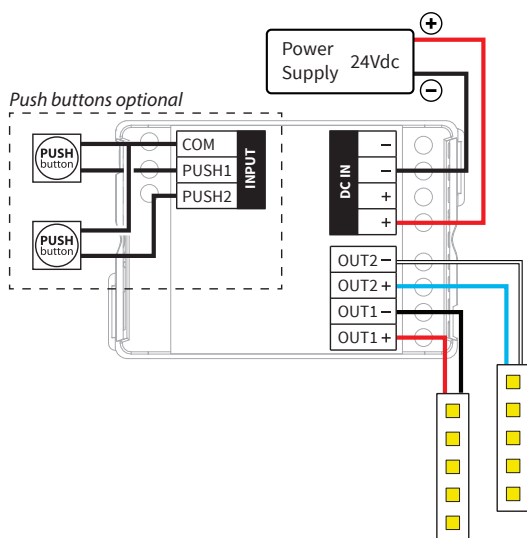
## Installation: Double Channel



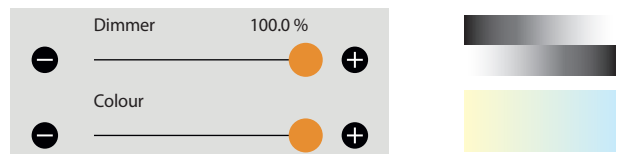
### Dip-switch setup

Voltage In	Max Power Out for CH	Voltage Out for CH
24Vdc	45W	2,5V/21,6 V
48Vdc	91W	5V/43,2 V

SEC	1	2	3	4
250 mA	-	-	-	-
300 mA	ON	-	-	-
350 mA	-	ON	-	-
500 mA	ON	ON	-	-
600 mA	-	-	ON	-
700 mA	ON	-	ON	-
750 mA	-	ON	ON	-
900 mA	ON	ON	ON	-
1000 mA	-	-	-	ON
1100 mA	ON	-	-	ON
1200 mA	-	ON	-	ON
1250 mA	ON	ON	-	ON
1400 mA	-	-	ON	ON
1500 mA	ON	-	ON	ON
1800 mA	-	ON	ON	ON
2100 mA	ON	ON	ON	ON



## Installation: Tunable White



### Dip-switch setup

Voltage In	Max Power Out for CH	Voltage Out for CH
24Vdc	45W	2,5V/21,6 V
48Vdc	91W	5V/43,2 V

SEC	1	2	3	4
250 mA	-	-	-	-
300 mA	ON	-	-	-
350 mA	-	ON	-	-
500 mA	ON	ON	-	-
600 mA	-	-	ON	-
700 mA	ON	-	ON	-
750 mA	-	ON	ON	-
900 mA	ON	ON	ON	-
1000 mA	-	-	-	ON
1100 mA	ON	-	-	ON
1200 mA	-	ON	-	ON
1250 mA	ON	ON	-	ON
1400 mA	-	-	ON	ON
1500 mA	ON	-	ON	ON
1800 mA	-	ON	ON	ON
2100 mA	ON	ON	ON	ON